



FLEXI MULTIBANK CHARGER RANGE data sheet

DESCRIPTION

A range of chargers designed to be flexible to user needs in a busy workshop or multi-battery environment.

- Range includes 2-way, 4-way, 6-way, 8-way and 10-way configurations
- Up to 20amp per charge cell
- Output voltages - 12/24/36/48V (options for 36V & 48V)
- Battery chemistries - Sealed Lead Acid (SLA) & Lithium-Ion Phosphate (LiFePO4)

SPECIFICATIONS

- Input voltage – 100-240V AC
- Up to 20amp per charge cell
- 12V & 24V output voltage as standard (options for 36V & 48V)



WEIGHTS AND DIMENSIONS

CASE WIDTH	WIDTH (MM)	DEPTH (MM)	HEIGHT (MM)	WEIGHT (KG)
2 Way	132	245	100	2.85
4 Way	132	245	190	5.7
6 Way	132	245	275	8.5
8 Way	132	245	365	11.5
10 Way	132	245	455	14.25

Additional 45mm height for handle for 2way to 10way units

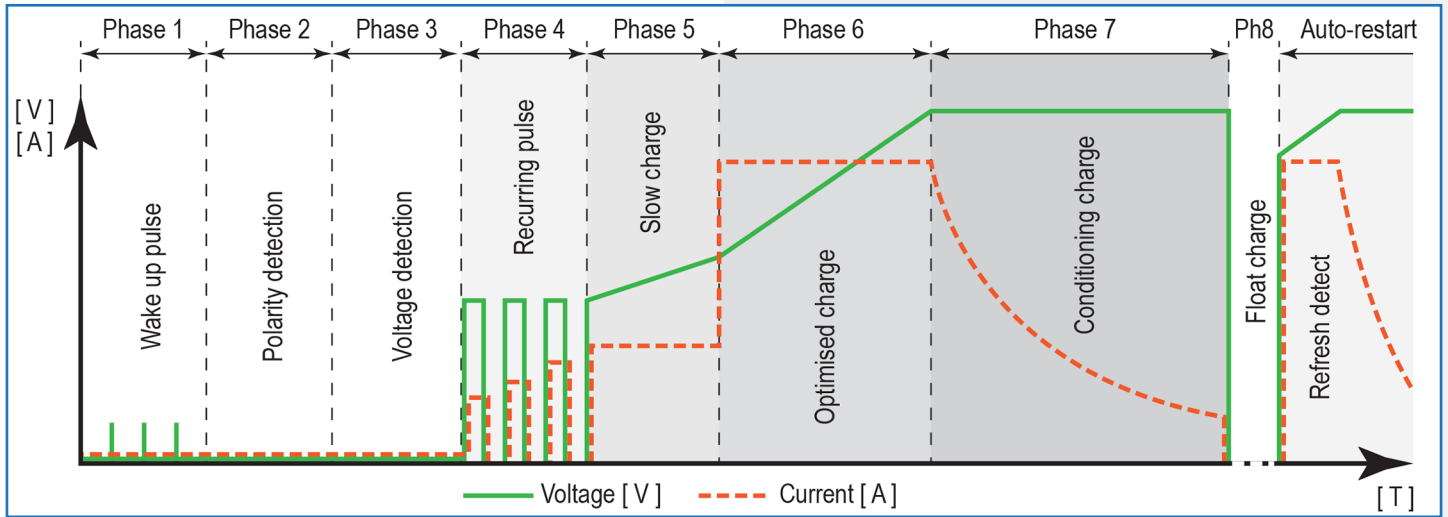
KEY FEATURES

- Specific charging profiles with up to 8 phases
- Soft-start phase to protect against plate warp in deeply discharged batteries
- Automatic charge restart function used to maintain battery in fully charged state
- Cooling with load-dependent fan additional economy is gained by running fan in a temp dependent mode, not constant
- High frequency switching technology for best performance and efficiency
- LEDs to indicate operation and charging status
- Overload, reverse polarity and short circuit protection
- Power de-rating at elevated environmental temperature
- Wide range input 100-240V, 50/60Hz
- Over current control protection against high current demand during charging (e.g. engine start)
- IP20

OPTIONAL FEATURES

- External battery temperature sensor
- LED ladder charger load display, shows work being done by charger
- LCD battery voltage display
- % charge progress display
- Bespoke charge stages
- Range of output plugs available
- Single chargers available

TYPICAL MULTI-STEP CHARGE PROFILE



PHOTOS OF ALL OPTIONS



2 WAY



4 WAY



6 WAY



8 WAY



10 WAY